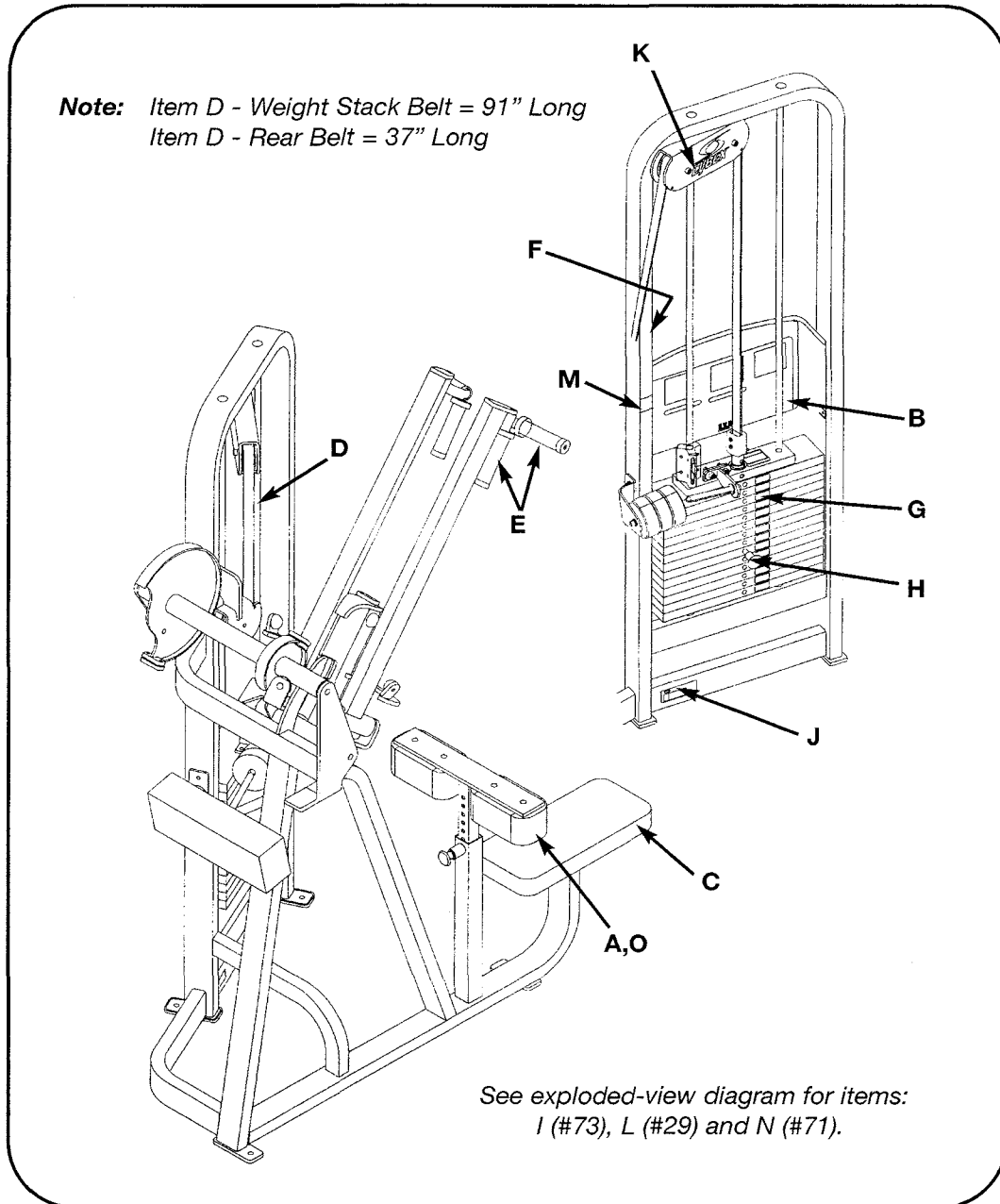


PULLDOWN - DUAL AXIS

PRODUCT NO. 4515

PARTS LIST



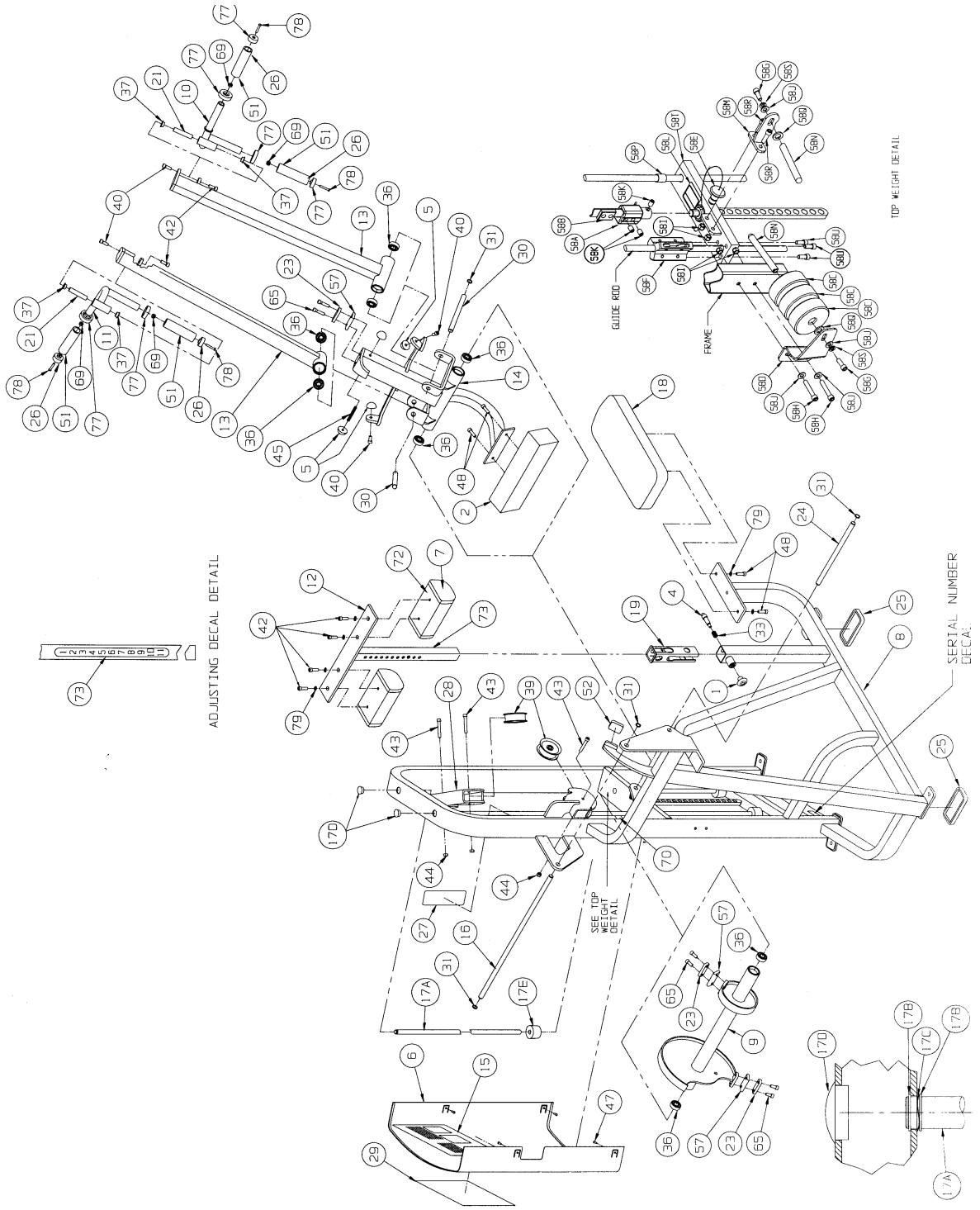
DESCRIPTION	PART NO.	DESCRIPTION	PART NO.
A. Thigh Cushion w/Wear Cover	4800-071	I. Adjusting Knee Decal....	4810-310
B. Placard Decal	4515-331	J. Serial Number Decal	
C. Seat Cushion.....	4800-024	K. Cybex Decal Blk/Plm	3900-423
D. Belt	GB000202	K. Cybex Decal Wht/Wht...	3900-424
E. Grip 5" Long	4605-501	L. Cybex Decal Blk/Plm	3900-391
F. Warning Decal	4605-381	L. Cybex Decal Wht/Wht...	3900-419
G. Weight Plate Decal.....	4605-388	M. Caution Decal	5221-319
H. Weight Selector Pin.....	BH030207	N. Caution Decal	4605-424
		O. Wear Cover	4800-101

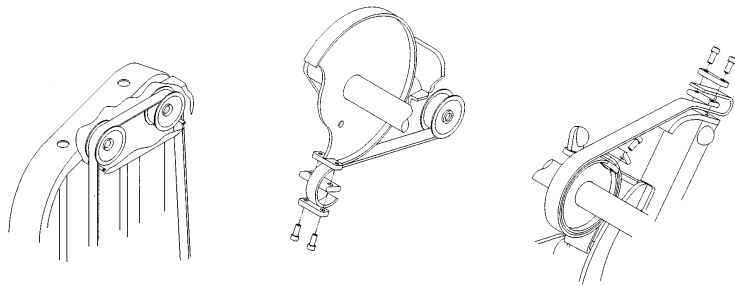
4515 - Pulldown - Dual Axis

ITEM	QTY	PART NO.	DESCRIPTION
1	1	11040-440	Cybox Knob
2	1	ZC000001	Counterweight
3			Removed 8/98
4	1	4605-322	Detent Pin
5	4	4505-331	Bumper 1.50 Dia
6	1	4505-432	Guard
7	2	4800-071	Thigh Cushion w/Wear Cover
8	1	4515-200	Frame
9	1	4515-201	Cam
10	1	4515-202	Handle (Left Hand)
11	1	4515-203	Handle (Right Hand)
12	1	4515-207	Seat Post
13	2	4515-205	Arm
14	1	4515-206	Bearing Housing
15	1	4515-331	Placard Decal
16	1	4515-327	Pivot Shaft 26.06
17	1	4701-021	Guide Rod Set - 51"
17 A	2	4505-319	Weight Rod .625 Dia x 51"
17 B	4	BR030214	Retaining Ring .625
17 C	2	HS407100	Spring Washer .65 x .79 x .062T
17 D	2	PN660200	Plastic Insert 1.00 Dia 11G
17 E	2	PR060005	Weight Bumper
18	1	4800-024	Seat Cushion
19	1	4605-512	Plastic Insert 7.94
20			Removed 8/98
21	2	4535-328	Pivot Pin (Short)
22			Removed
23	3	4605-300	Belt Clamp
24	1	4605-334	Pivot Shaft 13.06
25	4	PR070003	Foot Pad 2.00 x 5.25
26	2	11090-374	End Cap
27	1	4605-381	Warning Decal
28	1	3900-423	Cybox Decal 4.85 Vert. Blk/Plm
28	1	3900-424	Cybox Decal 4.85 Vert. Wht/Wht
28			Removed 3/03
29			Removed 3/03
29	1	3900-391	Cybox Decal 11.37 Vert. Blk/Plm
29	1	3900-419	Cybox Decal 11.37 Vert. Wht/Wht
30	2	5220-320	Pivot Shaft 7.06
31	8	BR030210	Retaining Ring 17 mm
32			Not Used
33	1	BS070201	Com. Spring .56 ID x .66 OD x 1.50 L
34			Not Used
35			Removed 5/99
36	8	FB030232	Radial Bearing 17 mm ID (Ext Race)
37	4	FB130205	Flange Bearing .62 x .75 x .38 L
38 A	91"	GB000202	Weight Stack Belt .95" Wide
38 B	37"	GB000202	Input Arm Belt .95" Wide
39	3	GP000209	Pulley Assembly 3.50
40	4	HC702815	SHCS .375-16 x .750
41			Removed 8/98
42	6	HC702817	SHCS .375-16 x 1.00
43	3	HC702830	SHCS .375-16 x 2.50
44	5	HN704901	Nylon Locknut .375-16
45	1	HP707038	Stud .375-16 x 3.50

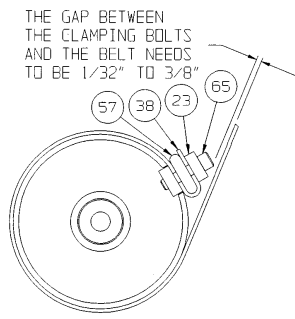
ITEM	QTY	PART NO.	DESCRIPTION
46			Not Used
47	4	HT102214	Tap Screw #10-12 x .625 A (Phil)
48	4	JC702820	SHCS .375-16 x 1.25
49			Removed 8/98
50			Not Used
51	4	4605-501	Grip 5" long
52	1	PU060203	Bumper
53			Not Used
54			Not Used
55			Not Used
56			Not Used
57	3	4605-394	Belt Clamp
58	1	4701-030	Sliding Increment Weight Set
58 A	1	11040-216	Belt Clamp
58 B	1	11040-301	Belt Clamp Insert
58 C	3	4605-390	Increment Weight
58 D	1	BH030207	Weight Selector Pin
58 E	1	FB130208	Bearing Sleeve .68 x .81 1.00 L
58 F	2	HC702817	SHCS .375-16 x 1.00
58 G	2	HC702828	SHCS .375-16 x 2.25
58 H	4	HN704901	Nylon Locknut .375-16
58 I	4	HS347600	Washer, SAE .375
58 J	1	HY740000	Set Screw
58 K	1	4605-424	Caution Decal
58 L	1	4700-240	Weight Mount
58 M	2	4700-318	Increment Weight Rod
58 N	1	4700-319	Frame Mount Increment Weight
58 O	2	4701-001	Top Weight Guide
58 P	2	4700-321	Rubber Washer
58 Q	2	JC702820	SHCS .375-16 x 1.25
58 R	2	HS348300	Split Lockwasher .375
58 S	1	4700-239	Top Weight
58 T	3	HC702816	SHCS .375-16 x .875
59			Not Used
60			Not Used
61	1	BH030206	Weight Selector Pin
62			Not Used
63			Not Used
64			Not Used
65	6	HC702822	SHCS .375-16 x 1.50
66			Removed
67	1	4701-302	VR2 Weight Stack Instr. (not shown)
68	1	51198	Strength Warranty Sheet (not shown)
69	4	HF449063	Tube Insert
70	1	5221-319	Caution Decal
71			Not Used
72	2	4800-101	Wear Cover
73	1	4810-310	Adjusting Knee Decal
74	14	4000C101	Stack Weight 4 x 18 (not shown)
75	4	JS347400	Lockwasher Int Tooth
76	1	4605-388	Weight Plate Decal (not shown)
77	2	11090-376	Handle Grip Ring
78	4	JC620422	BHSCS .250-20 x 1.50
79	6	JS347400	Internal Lockwasher .375

PULLDOWN - DUAL AXIS - 4515

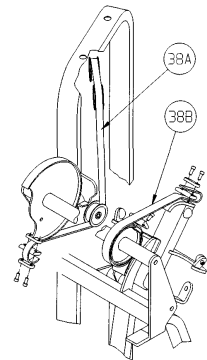




BELT ROUTING DETAIL



BELT CLAMPING DETAIL



BELT ROUTING DETAIL

BELT ROUTING DETAIL